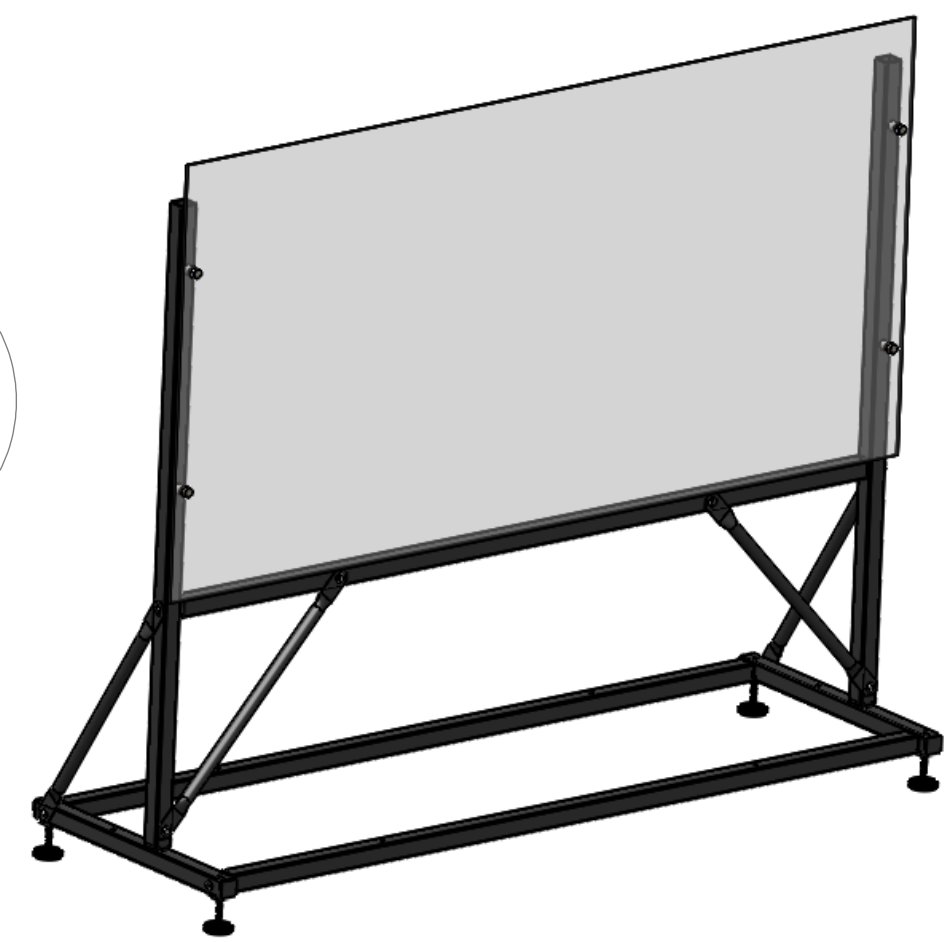
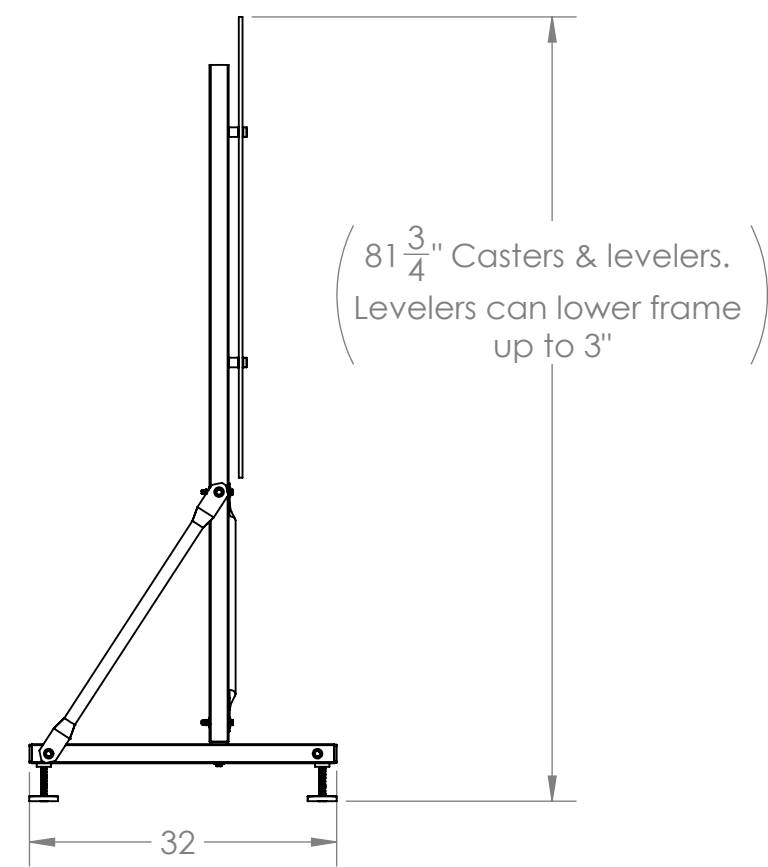
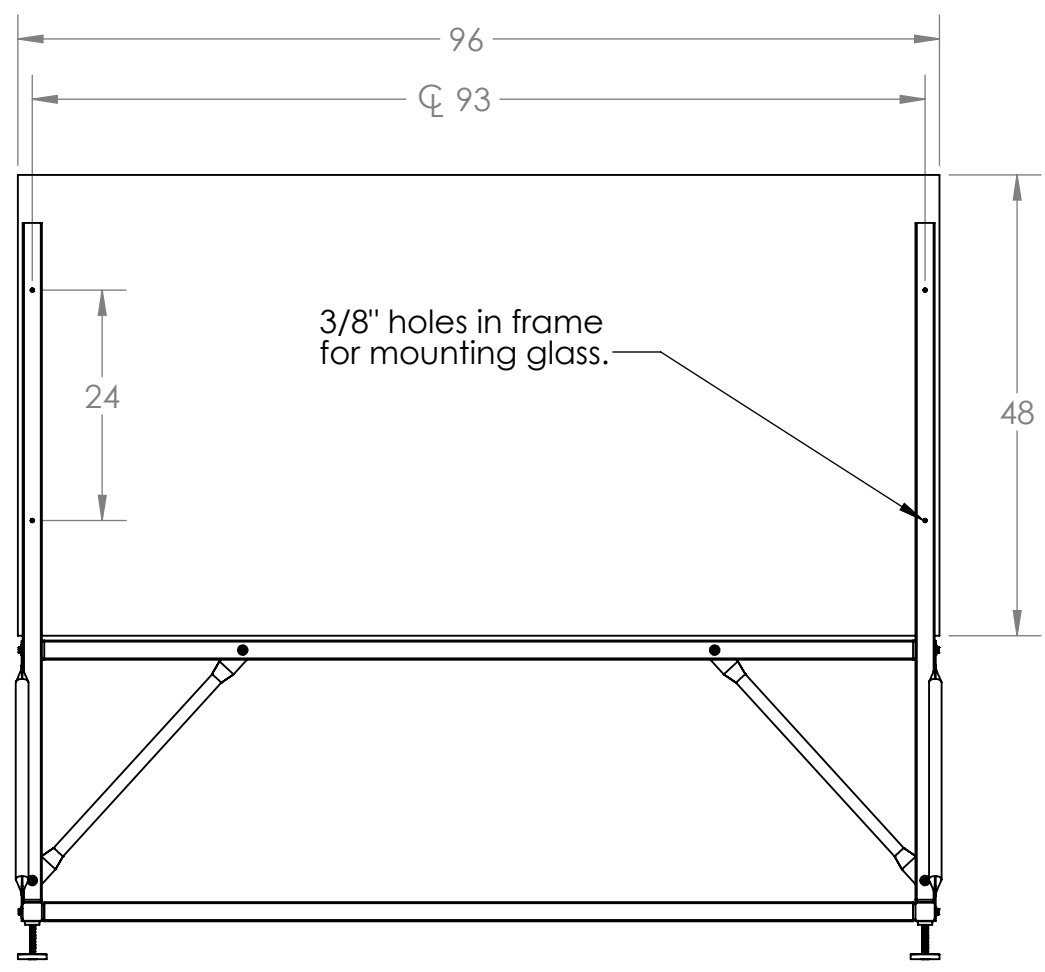


4

3

2

1



Glass and glass mounting hardware shown are not included.

- **Order frames and accessories online at NewRevolutionTools.com or contact Kevin@NewRevolutionTools.com with any questions.**
- Frames assemble in under an hour with two people.
- Leveling feet are included as shown. Upgrade options for lockable casters or leveling casters are available. See page 5 for details.
- Many customers have asked for hardware to mount the glass panel to minimize coordination with glass vendors. A hardware kit including aluminum standoffs can be added for \$120. Have the glass panel drilled to match the print shown on page 2. Three people can mount glass in under 15 minutes with this kit. Install hardware to the glass, then lift into place and tighten to frame.
- Frames for 4'x8' and 4'x6' glass panels are typically in stock and ship within 2 days from receipt of payment. Custom sizes can be built with a 2 week lead time.



TITLE: S3 Lightboard Frame		
SIZE B	DWG. NO. LB20	REV
SCALE: 1:20		SHEET 1 OF 5

4

3

2

1

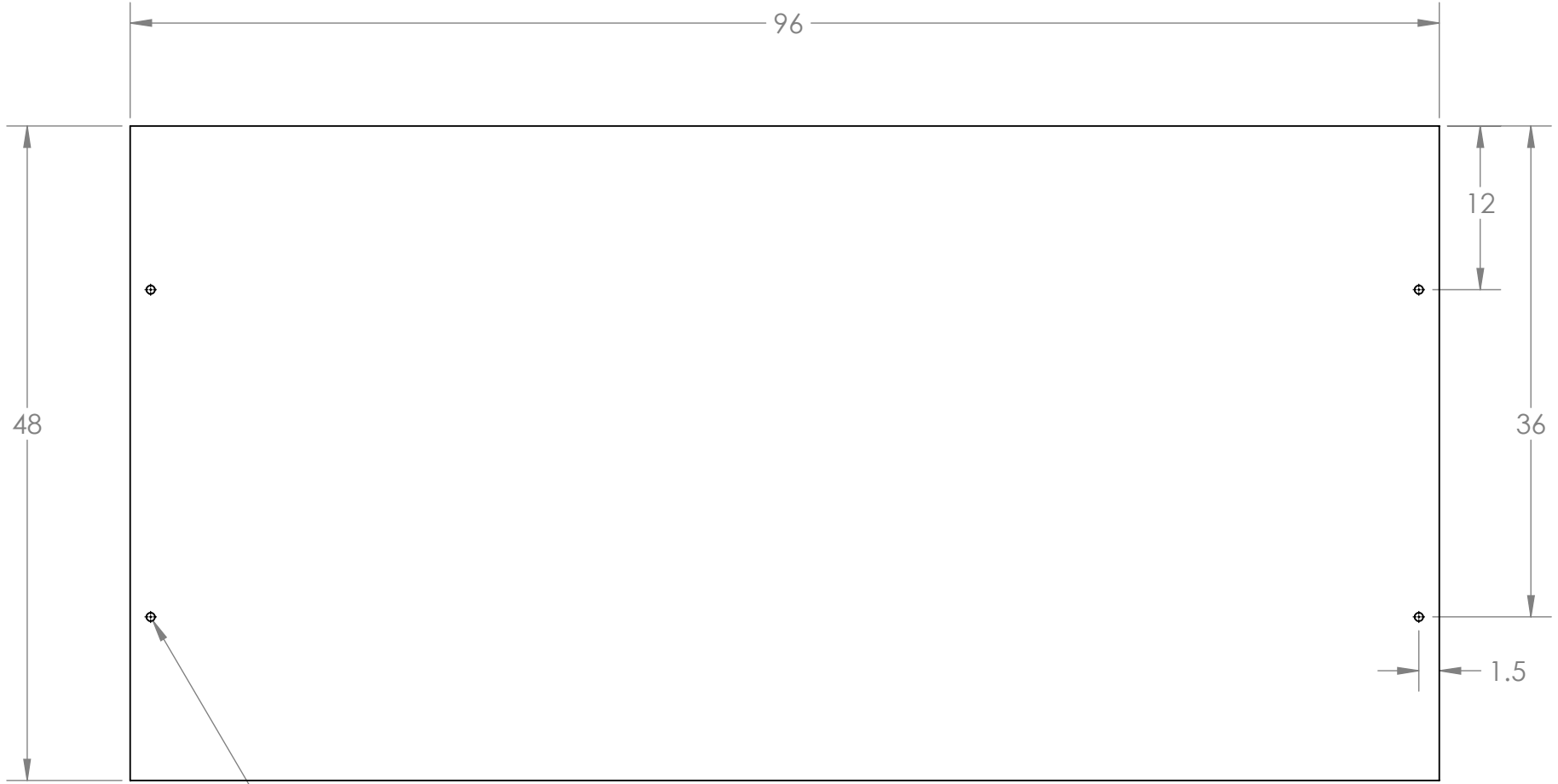
B

B

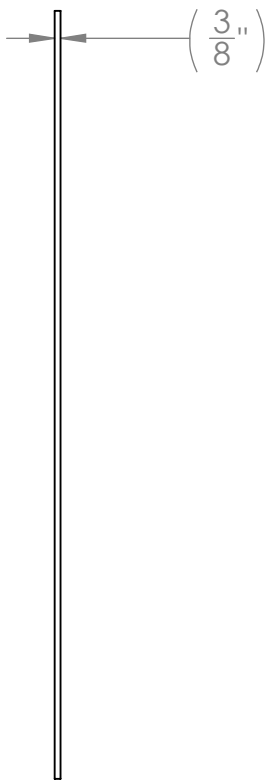
A

A

TYPICAL GLASS PANEL



4X ϕ $\frac{5}{8}$ " THRU ALL



TITLE:		
SIZE	DWG. NO.	REV
B	LB20	
SCALE: 1:12		SHEET 2 OF 5

4

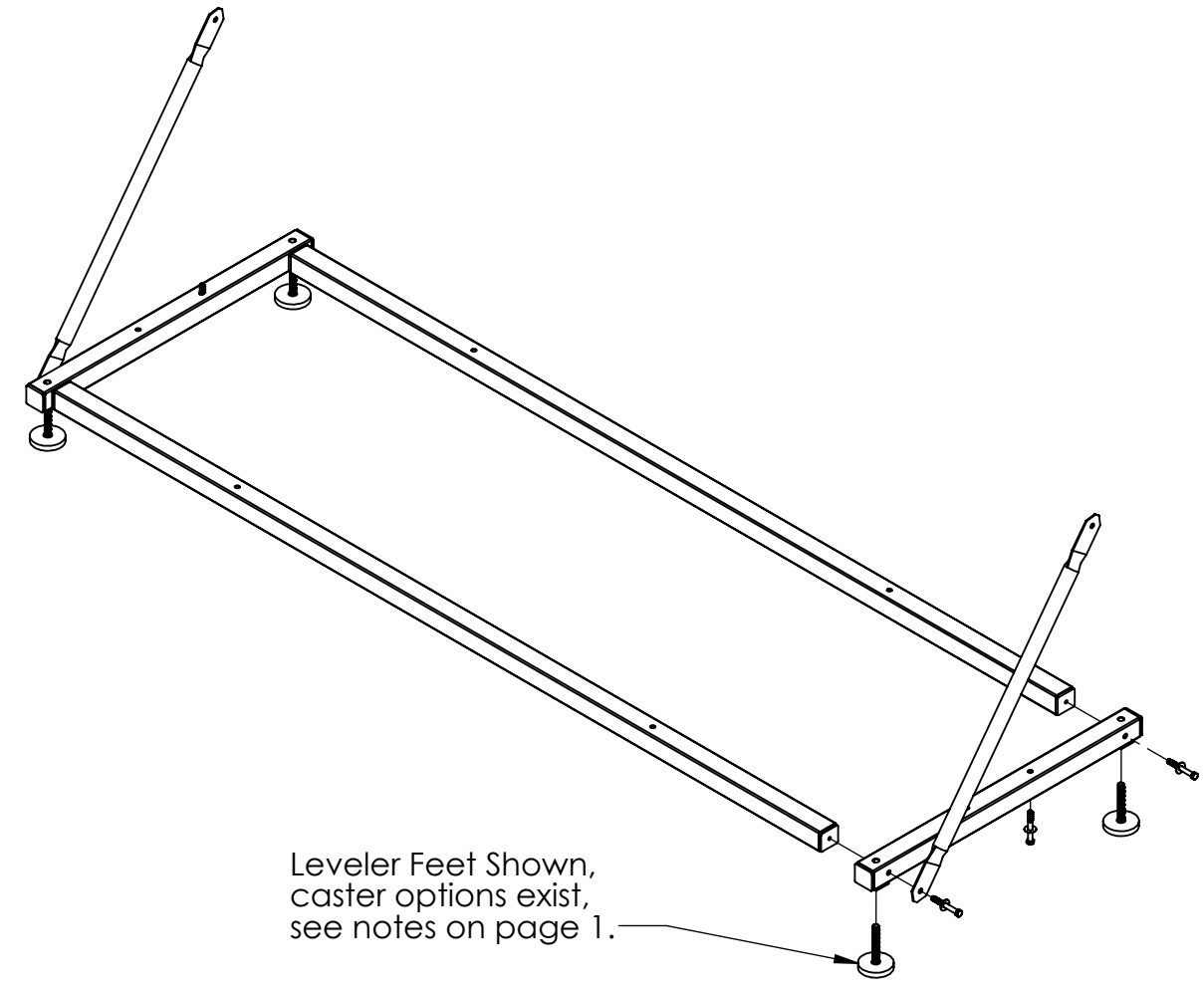
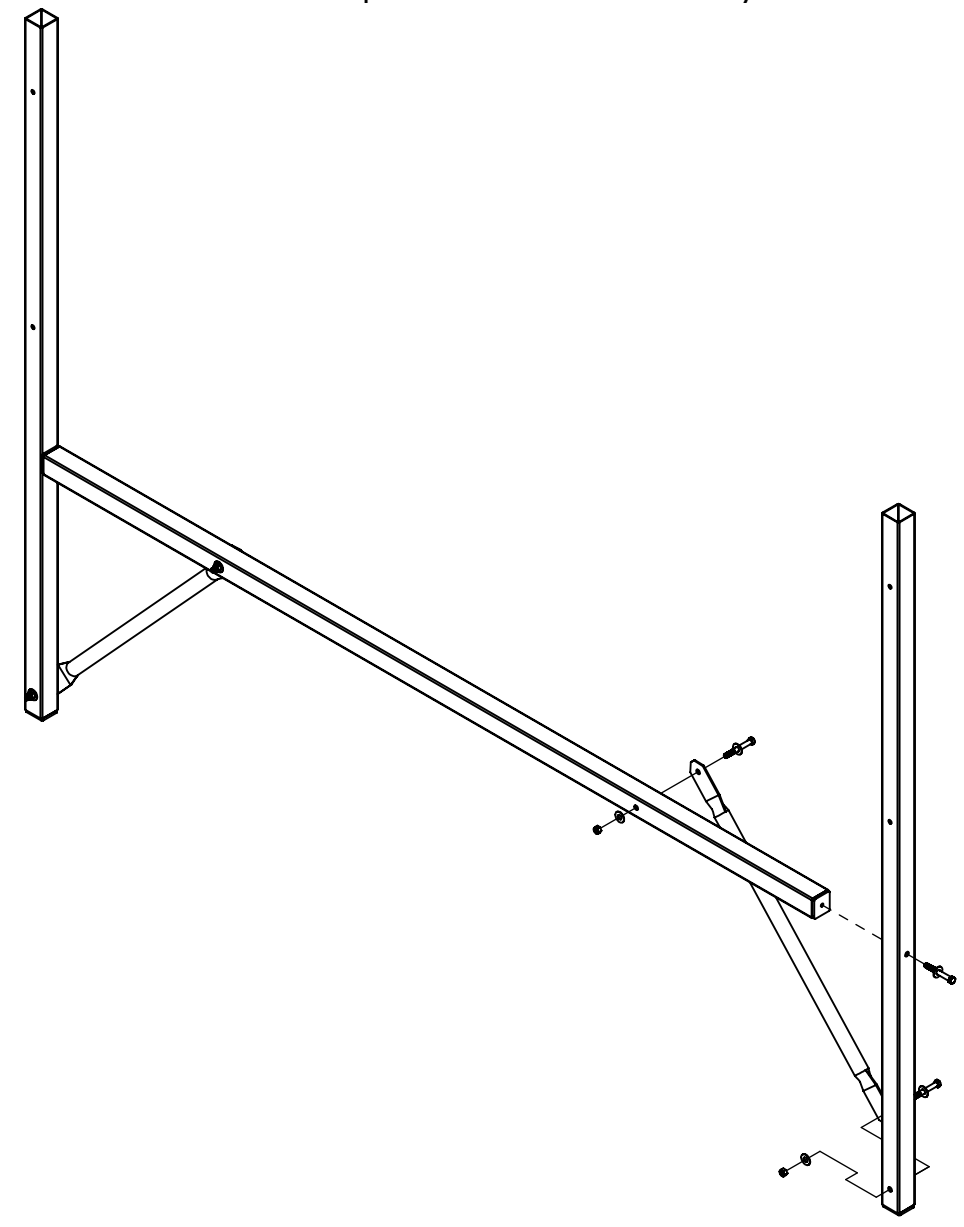
3

2

1

Top Section Assembly

Bottom Section Assembly



Only one size of fastener is used throughout frame. Only hand tighten fasteners until all components are assembled.

Leveler Feet Shown, caster options exist, see notes on page 1.

TITLE: S3 Lightboard Frame		
SIZE B	DWG. NO. LB20	REV
SCALE: 1:16	SHEET 3 OF 5	

4

3

2

1

B

B

A

A

4

3

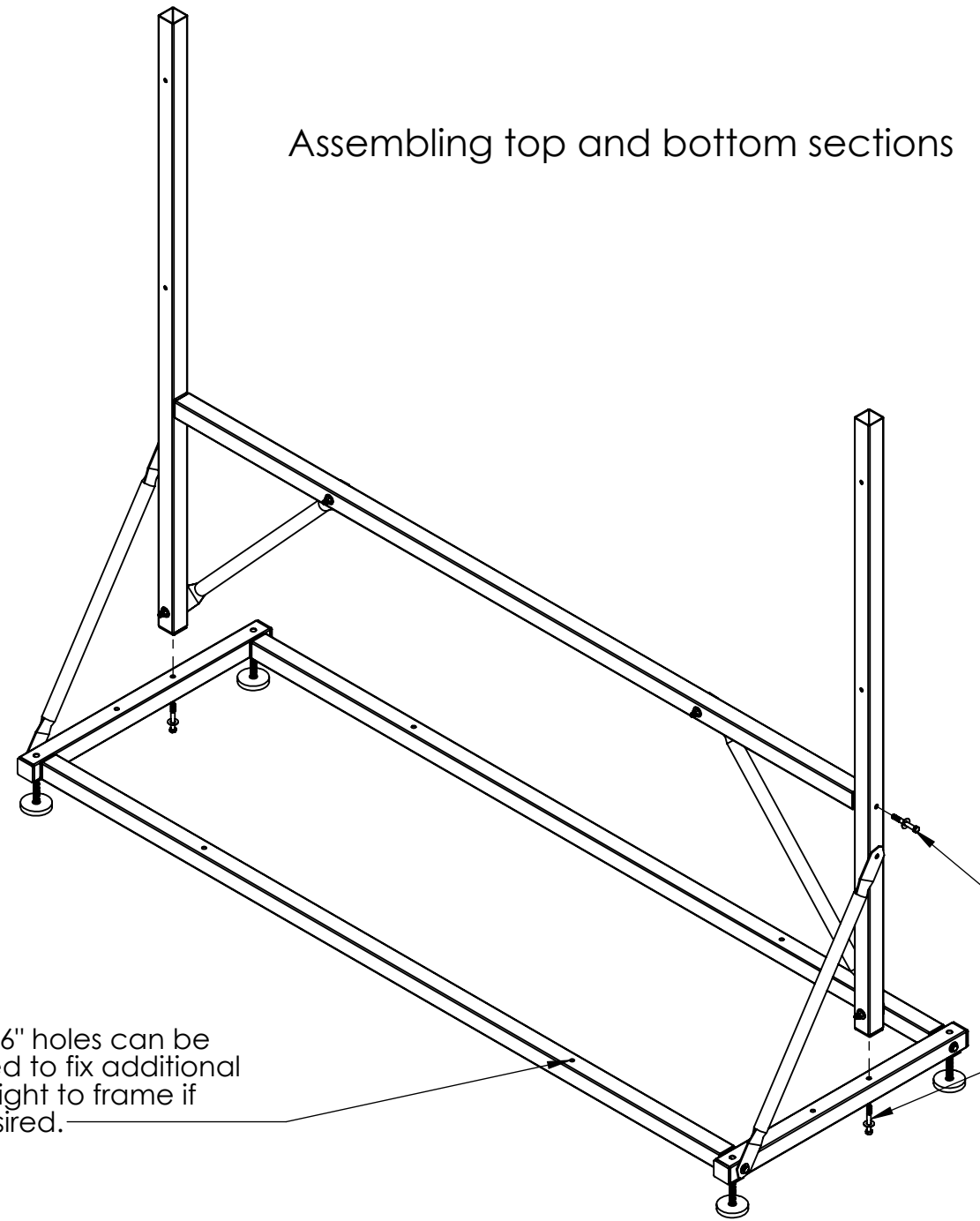
2

1

B

B

Assembling top and bottom sections



7/16" holes can be used to fix additional weight to frame if desired.

Install Bottom Fasteners, then remove upper fasteners one at a time to fasten through diagonal brace

Fully tighten all bolts after glass panel is installed

A

A

4

3

2

1

TITLE: S3 Lightboard Frame		
SIZE B	DWG. NO. LB20	REV
SCALE: 1:16	SHEET 4 OF 5	

4

3

2

1

Leveling feet
(default, included)



Lockable Caster
(\$50 upgrade)



Make your frame portable. Always move with two people for safety

Leveling Caster
(\$150 upgrade)



Leveling casters use a thumb wheel (orange) to raise and lower a stopper-it will lift the frame up off the wheels to minimize any shimmying wheels would otherwise allow.

B

B

A

A

4

3

2

1

TITLE: S3 Lightboard Frame		
SIZE B	DWG. NO. LB20	REV
SCALE: 1:16	SHEET 5 OF 5	