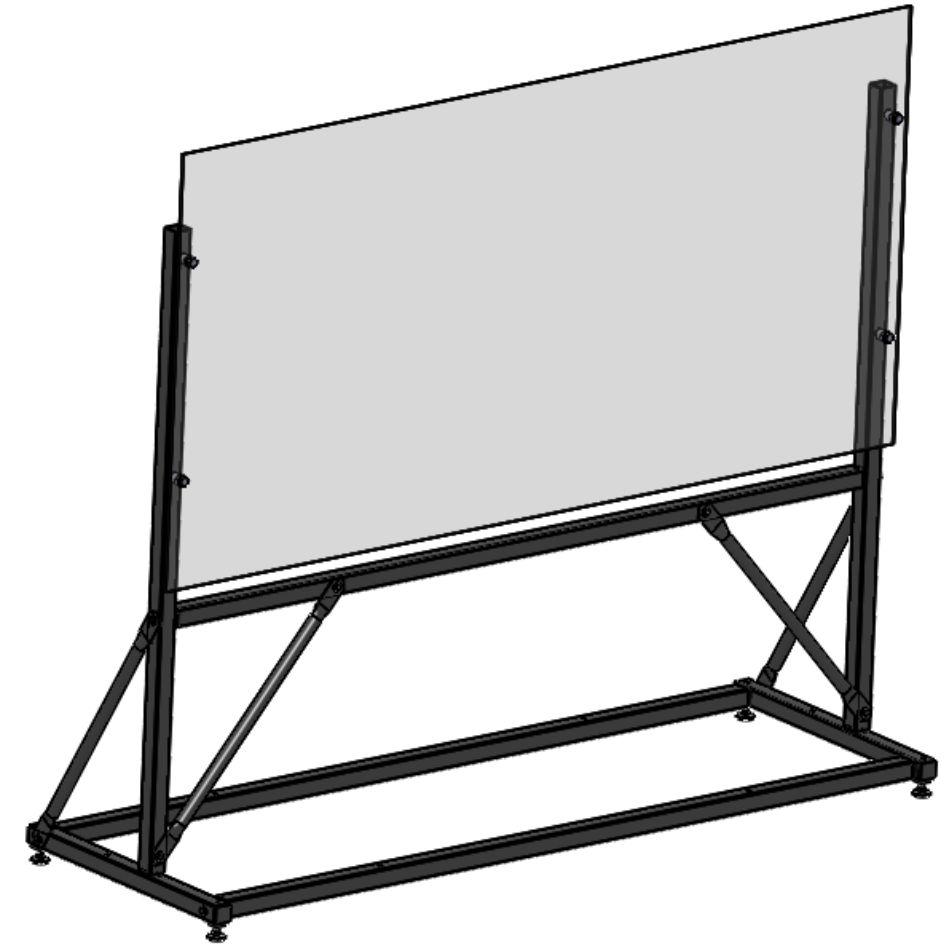
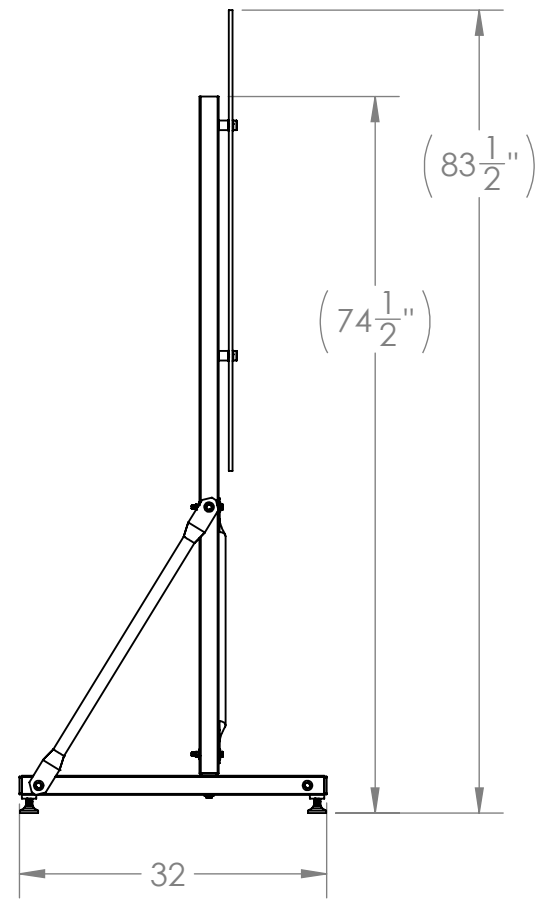
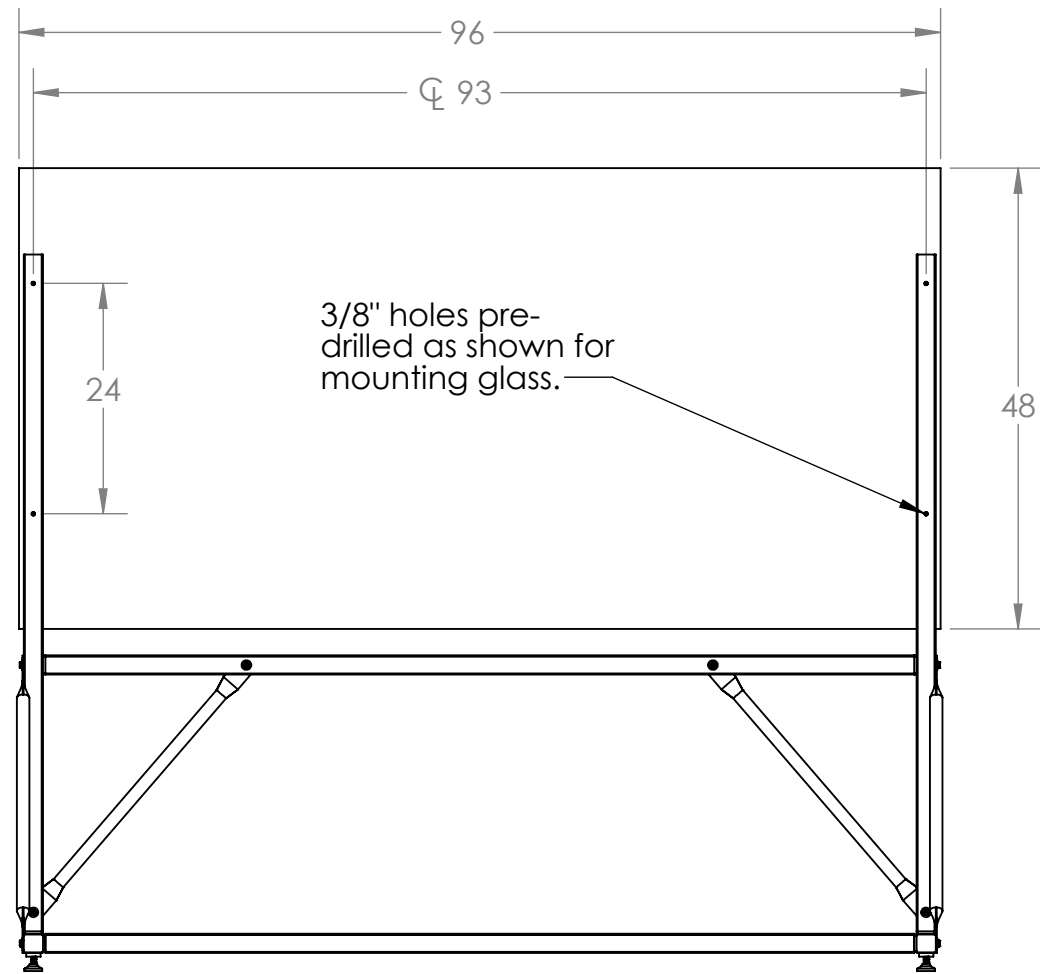


4

3

2

1



Glass shown is not included.

- **For any questions or to order contact Kevin.S.Koch@gmail.com**
- Base frames are \$750 including hardware. Frames will assemble in under an hour with two people.
- Leveling feet are included as shown. Upgrade options for lockable casters or leveling casters are available. See page 5 for more details.
- Many customers have asked for hardware to mount the glass panel to minimize coordination with glass vendors. A hardware kit including aluminum standoffs can be added for \$120. Have the glass panel drilled to match the print shown on page 2.
- 4'x8' frames are typically in stock and will ship within 3 days from receipt of payment. Smaller size custom frames can be built as well, 2 week lead time for those is typical.

PROPRIETARY AND CONFIDENTIAL
 The information contained in this drawing is the sole property of New Revolution Tools. Any reproduction in part or as a whole without the written permission of New Revolution Tools is prohibited.

UNLESS OTHERWISE SPECIFIED:		NAME	DATE
DIMENSIONS ARE IN INCHES		DRAWN	
TOLERANCES:		MODIFIED	
FRACTIONAL ±		TITLE: S2 Lightboard Frame	
ANGULAR: MACH ± BEND ±			
TWO PLACE DECIMAL ±			
THREE PLACE DECIMAL ±			
INTERPRET GEOMETRIC TOLERANCING PER:		SIZE	DWG. NO.
MATERIAL		B	LB20
FINISH		SCALE: 1:20	WEIGHT:
DO NOT SCALE DRAWING		SHEET 1 OF 5	

4

3

2

1

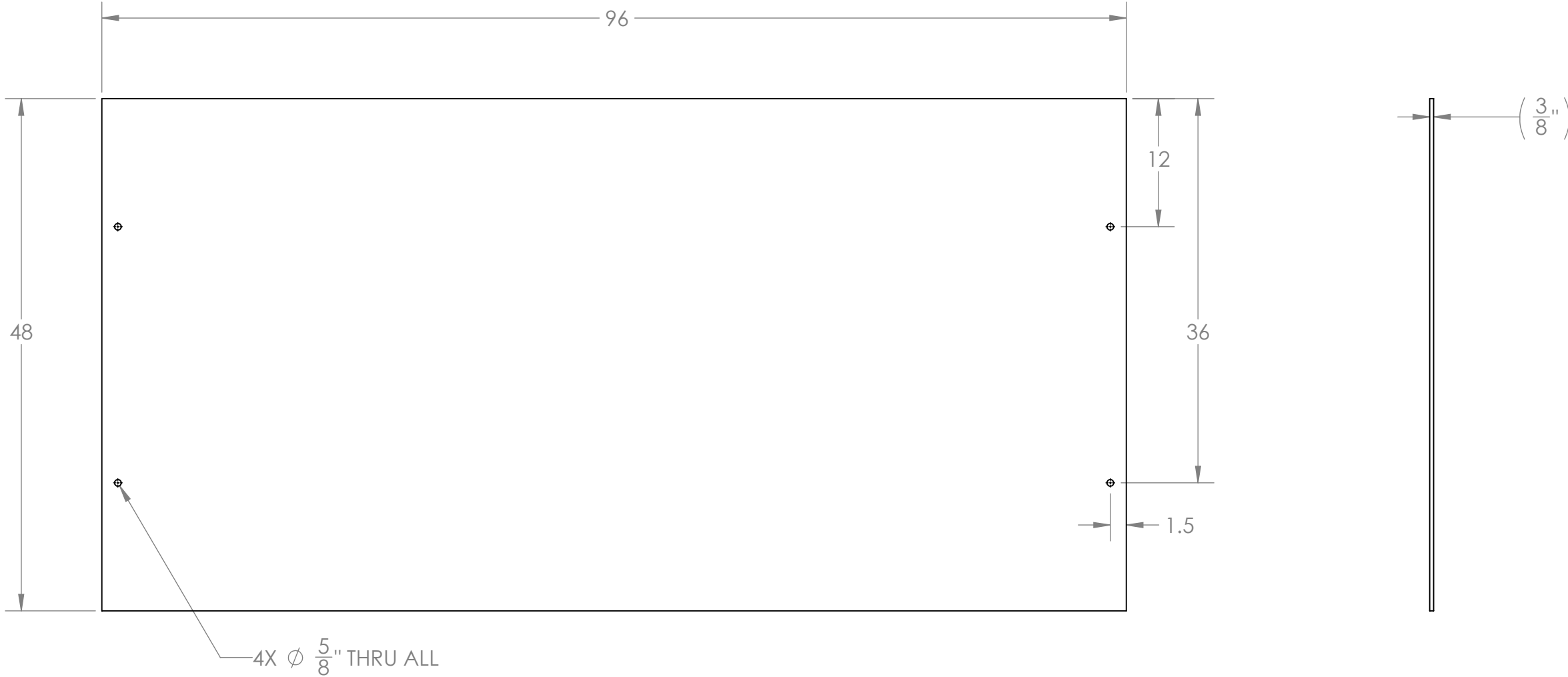
B

B

A

A

TYPICAL GLASS PANEL



PROPRIETARY AND CONFIDENTIAL
 The information contained in this drawing is the sole property of New Revolution Tools. Any reproduction in part or as a whole without the written permission of New Revolution Tools is prohibited.

		UNLESS OTHERWISE SPECIFIED:		NAME	DATE
		DIMENSIONS ARE IN INCHES		DRAWN	
		TOLERANCES:		MODIFIED	
		FRACTIONAL \pm		TITLE:	
		ANGULAR: MACH \pm BEND \pm			
		TWO PLACE DECIMAL \pm			
		THREE PLACE DECIMAL \pm		SIZE DWG. NO. REV	
		INTERPRET GEOMETRIC TOLERANCING PER:		B LB20	
		MATERIAL		SCALE: 1:12 WEIGHT: SHEET 2 OF 5	
		FINISH			
		DO NOT SCALE DRAWING			

4

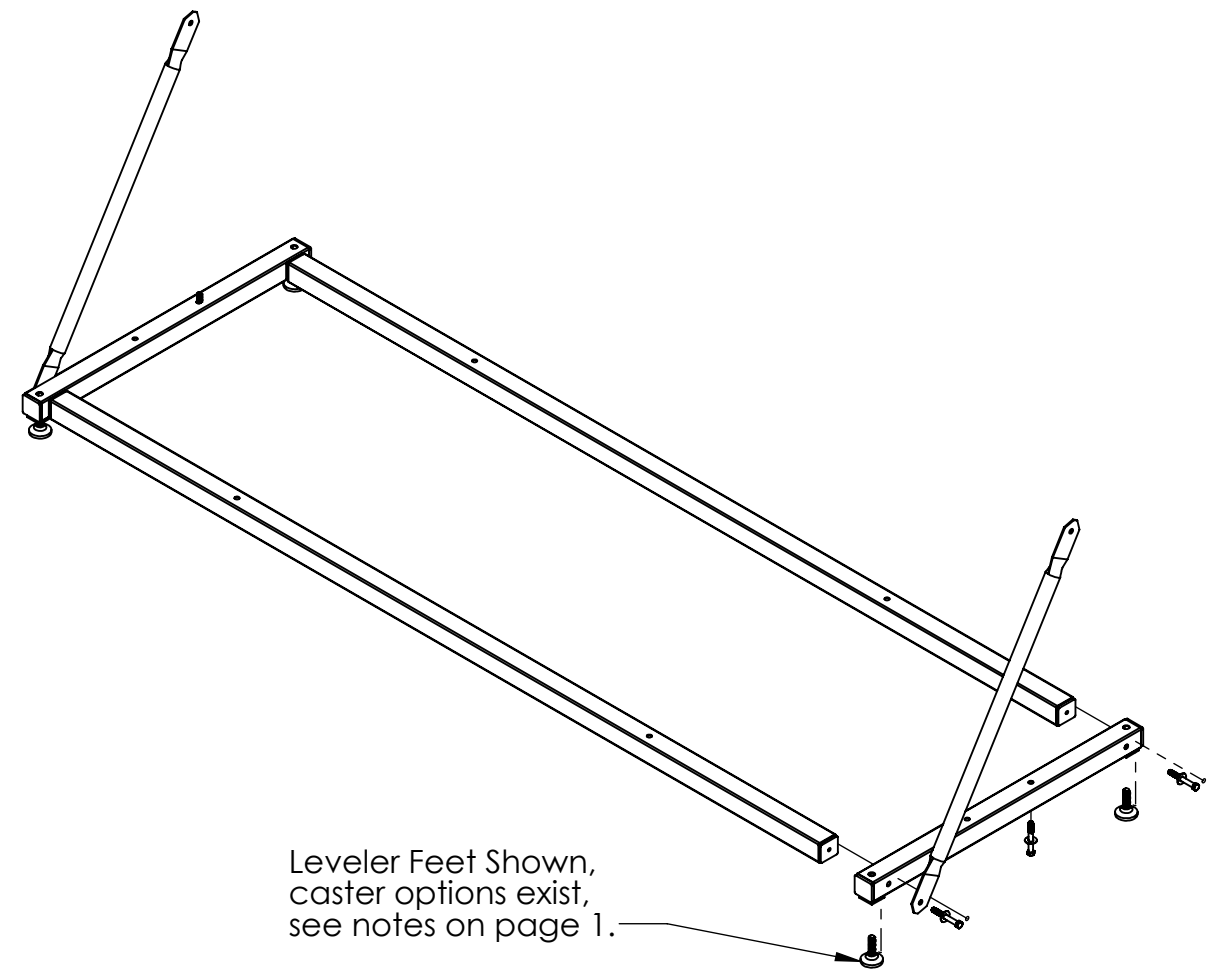
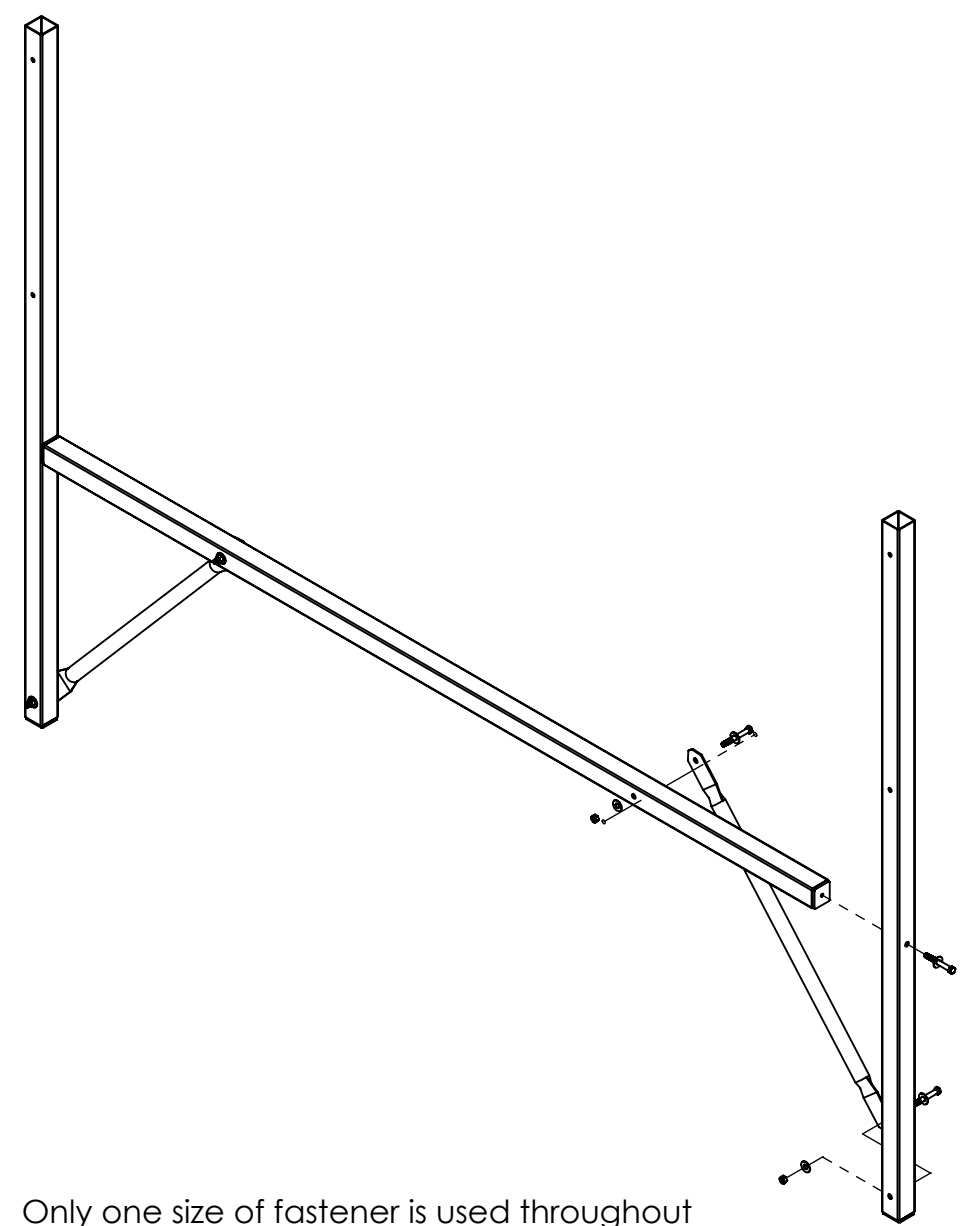
3

2

1

Top Section Assembly

Bottom Section Assembly



Only one size of fastener is used throughout frame. Only hand tighten fasteners until all components are assembled.

Leveler Feet Shown, caster options exist, see notes on page 1.

PROPRIETARY AND CONFIDENTIAL
 The information contained in this drawing is the sole property of New Revolution Tools. Any reproduction in part or as a whole without the written permission of New Revolution Tools is prohibited

		UNLESS OTHERWISE SPECIFIED:		NAME	DATE
		DIMENSIONS ARE IN INCHES		DRAWN	
		TOLERANCES:		MODIFIED	
		FRACTIONAL ±		TITLE: S2 Lightboard Frame	
		ANGULAR: MACH ± BEND ±			
		TWO PLACE DECIMAL ±			
		THREE PLACE DECIMAL ±			
		INTERPRET GEOMETRIC TOLERANCING PER:		SIZE DWG. NO. REV	
		MATERIAL		B LB20	
		FINISH		SCALE: 1:16 WEIGHT: SHEET 3 OF 5	
		DO NOT SCALE DRAWING			

4

3

2

1

B

B

A

A

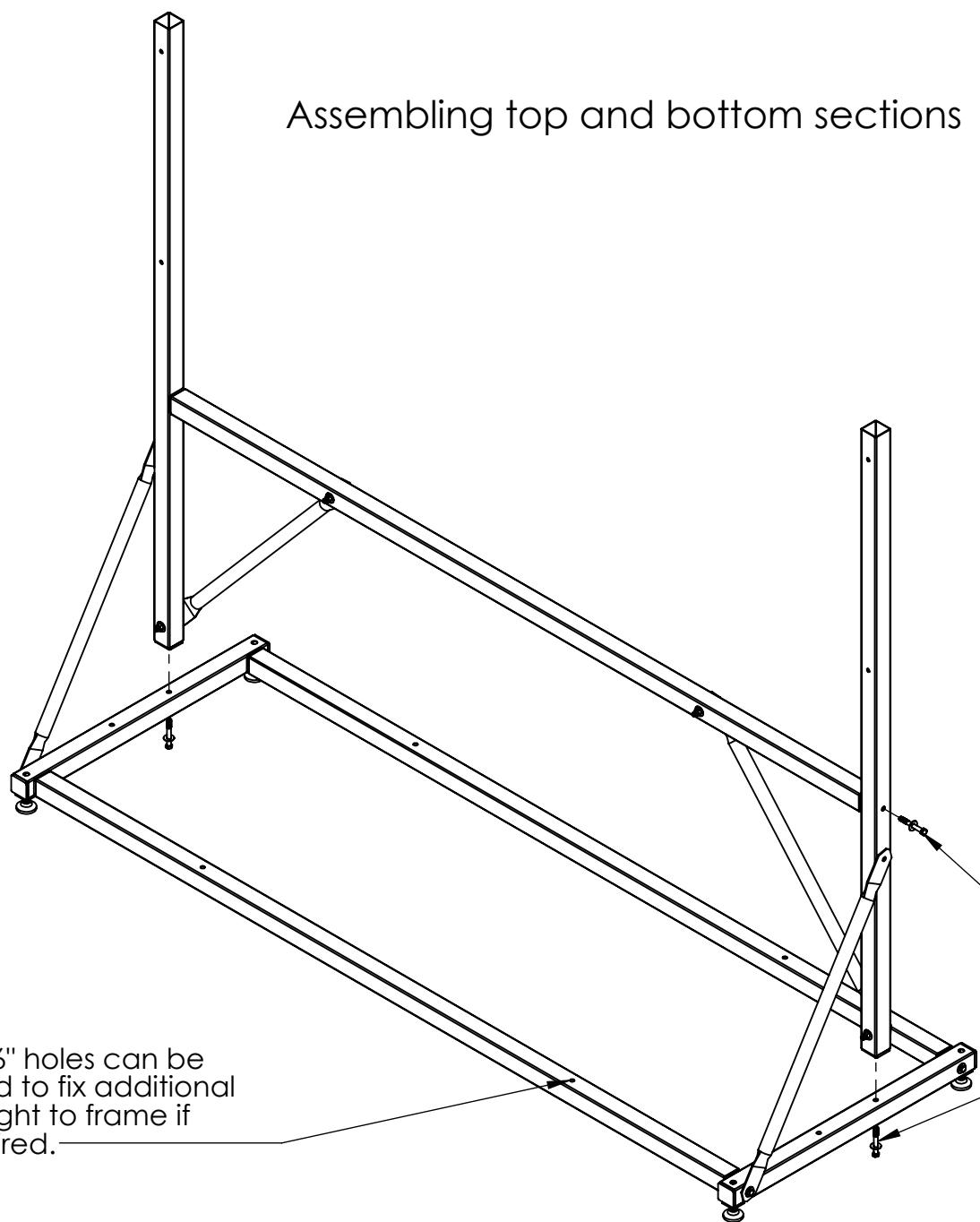
4

3

2

1

Assembling top and bottom sections



7/16" holes can be used to fix additional weight to frame if desired.

Install Bottom Fasteners, then remove upper fasteners one at a time to fasten through diagonal brace

Fully tighten all bolts after glass panel is installed

B

B

A

A

4

3

2

1

PROPRIETARY AND CONFIDENTIAL
 The information contained in this drawing is the sole property of New Revolution Tools. Any reproduction in part or as a whole without the written permission of New Revolution Tools is prohibited

UNLESS OTHERWISE SPECIFIED:		NAME	DATE
DIMENSIONS ARE IN INCHES		DRAWN	
TOLERANCES:		MODIFIED	
FRACTIONAL ±		TITLE: S2 Lightboard Frame	
ANGULAR: MACH ± BEND ±			
TWO PLACE DECIMAL ±			
THREE PLACE DECIMAL ±			
INTERPRET GEOMETRIC TOLERANCING PER:		SIZE	DWG. NO.
MATERIAL		B	LB20
FINISH		SCALE: 1:16	WEIGHT:
DO NOT SCALE DRAWING		SHEET 4 OF 5	

TITLE:
S2 Lightboard Frame

SIZE **B** DWG. NO. **LB20** REV

SCALE: 1:16 WEIGHT: SHEET 4 OF 5

4

3

2

1

Leveling feet
(default, included)



Lockable Caster
(\$50 upgrade)



Make your frame portable. Always move with two people for safety

Leveling Caster
(\$150 upgrade)



Leveling casters use a thumb wheel (orange) to raise and lower a stopper-it will lift the frame up off the wheels to minimize any shimmying wheels would otherwise allow.

B

B

A

A

PROPRIETARY AND CONFIDENTIAL
The information contained in this drawing is the sole property of New Revolution Tools. Any reproduction in part or as a whole without the written permission of New Revolution Tools is prohibited

UNLESS OTHERWISE SPECIFIED:		NAME	DATE	TITLE: S2 Lightboard Frame
DIMENSIONS ARE IN INCHES TOLERANCES: FRACTIONAL ± ANGULAR: MACH ± BEND ± TWO PLACE DECIMAL ± THREE PLACE DECIMAL ±		DRAWN		
INTERPRET GEOMETRIC TOLERANCING PER:		MODIFIED		SIZE DWG. NO. REV
MATERIAL				B LB20
FINISH				SCALE: 1:16 WEIGHT: SHEET 5 OF 5
DO NOT SCALE DRAWING				

4

3

2

1